

THIS DRAWING IS UNPUBLISHED.

RELEASED FOR PUBLICATION

ALL RIGHTS RESERVED.

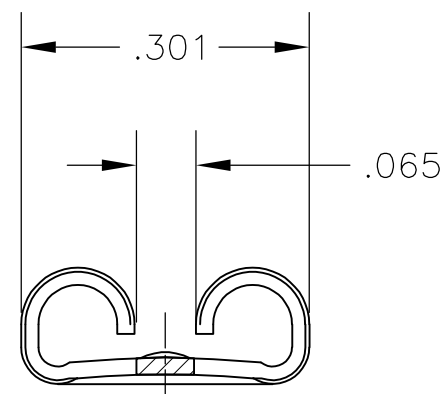
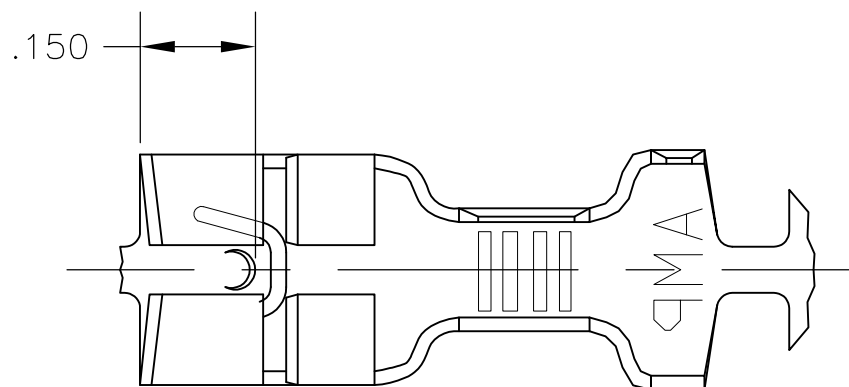
© COPYRIGHT - By -

LOC AF DIST 50

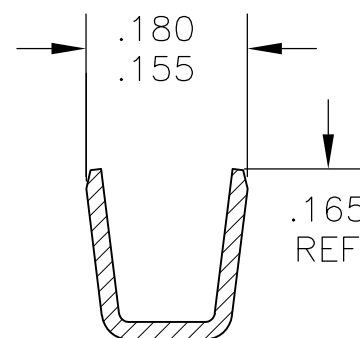
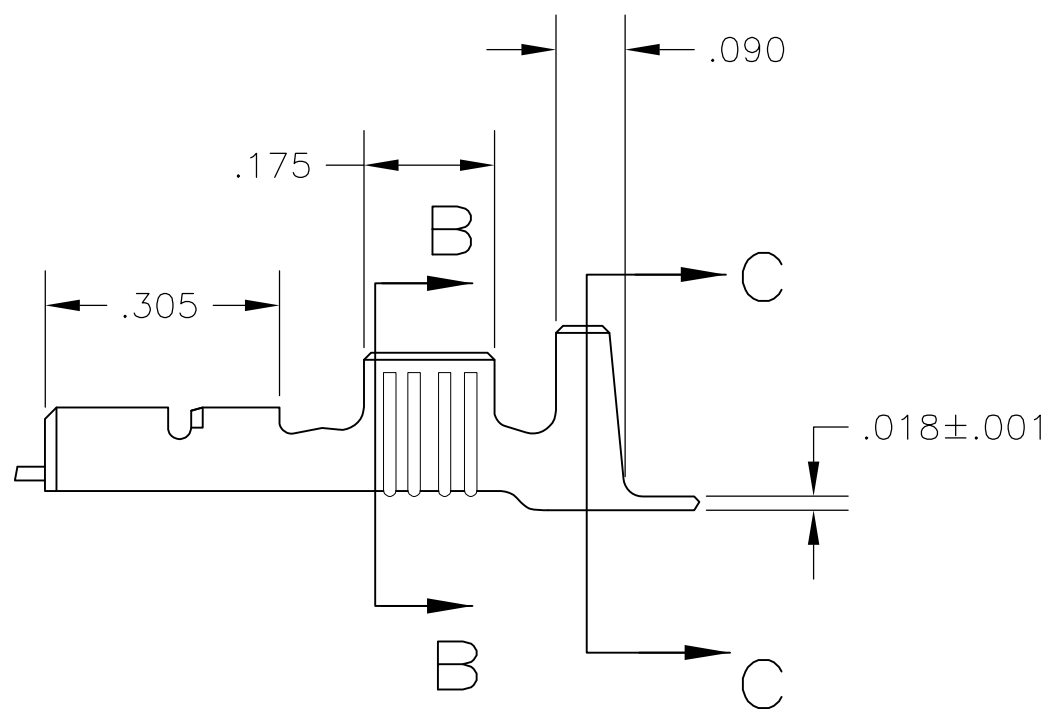
REVISIONS

P	LTR	DESCRIPTION	DATE	DWN	APVD
	F	REVISED PER ECR-12-013518	10DEC12	KH	PD

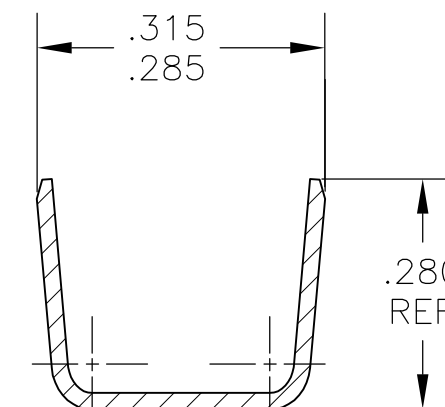
- 1 CONTINUOUS STRIP ON REELS
- 2 MATING TAB THK .032±.001
- 3 WIRE SIZE IS 16-12 OR TWO #18'S.
- 4 INSULATION RANGE .210-.265 OR TWO AT .120 MAX DIA.



VIEW A-A  
SCALE 5:1



SECTION B-B  
SCALE 5:1



SECTION C-C  
SCALE 5:1

.000150 MIN NICKEL	T2 STEEL	63757-2
-	BRASS	63757-1
FINISH	MATERIAL	PART NO.

THIS DRAWING IS A CONTROLLED DOCUMENT.		DWN JR RUTH 10/27/93	<b>TE Connectivity</b> RECPT, FASTON, LOW-INSERTION, .250 SERIES											
DIMENSIONS: INCHES		CHK MS FEHER 10/27/93												
TOLERANCES UNLESS OTHERWISE SPECIFIED:		APVD R REINER 10/27/93												
<table border="1"> <tr><td>0 PLC</td><td>± -</td></tr> <tr><td>1 PLC</td><td>± -</td></tr> <tr><td>2 PLC</td><td>± .010</td></tr> <tr><td>3 PLC</td><td>± -</td></tr> <tr><td>4 PLC</td><td>± -</td></tr> <tr><td>ANGLES</td><td>± -</td></tr> </table>		0 PLC				± -	1 PLC	± -	2 PLC	± .010	3 PLC	± -	4 PLC	± -
0 PLC	± -													
1 PLC	± -													
2 PLC	± .010													
3 PLC	± -													
4 PLC	± -													
ANGLES	± -													
MATERIAL SEE TABLE		FINISH SEE TABLE	PRODUCT SPEC -	APPLICATION SPEC 114-2036	RESTRICTED TO -									
CUSTOMER DRAWING			WEIGHT -	SIZE A3	CAGE CODE 00779									
			SCALE 4:1	DRAWING NO C-63757	SHEET 1 OF 1									
					REV F									